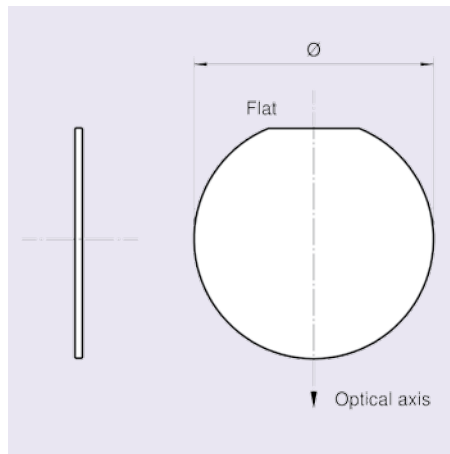


Low Order Verzögerungsplatten

Low Order Waveplates

Die Low Order Verzögerungsplatten ähneln den Multiple Order Verzögerungsplatten. Sie sind jedoch dünner, was den Vorteil einer größeren spektralen Bandbreite und einer höheren Temperaturstabilität hat.

Aufgrund ihres typischen Dickenbereichs sind die Platten zerbrechlich, sodass Sorgfalt beim Handling äußerst wichtig ist.



Low order waveplates are similar to multiple order waveplates. However, they are thinner and, therefore, have the advantage of a larger spectral bandwidth and a greater temperature stability.

Because of their typical range of thickness, the plates are fragile. It is extremely important to handle them with care.

Nomenklatur – Nomenclature

QWPL	-1064	-05	-2	AR/AR
Product code (Low Order)	Wavelength in nm	Diameter in inches x 10	Retardation 2: $\lambda/2$ 4: $\lambda/4$	Coating specification

SPECS	Parameter	Value
	Spectral bandwidth:	Typ. $\lambda \pm 1.5\%$
	Typical range of thickness:	0.10 mm to 0.25 mm
	Wavefront error:	$\lambda/10$ at 632.8 nm (transmission)
	Retardation tolerance:	$\lambda/100$ to $\lambda/600$
	Surface quality:	5/4 x 0.025 for 1.0" substrates according to ISO 10110 10-5 according to MIL-O-1380A
	Parallelism:	Wedge < 0.5 arcsec
	Damage threshold:	LDT > 10 J/cm ² (10 ns; 1064 nm)
	Clear aperture:	85 % of diameter
	Wavelength:	For single wavelength in the range of 248 nm - 2200 nm
	Dimensions [mm]:	12.7; 15.0; 20.0; 25.4; 30.0; 38.1; 50.8

Low-Order-Verzögerungsplatten werden auch mit reduzierten Spezifikationen angeboten.

Low order waveplates are also available with reduced specifications.

