

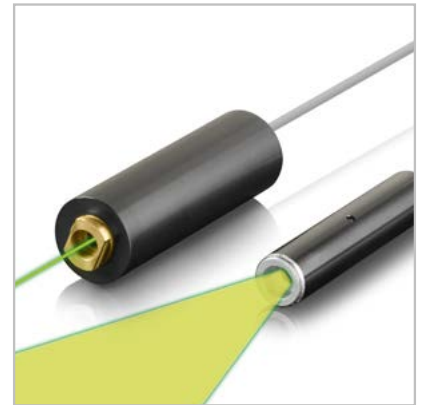
## FLEXPOINT® 532 nm Green Laser Module

### Features

- Small housing
- 10 times more visible to the eye than red lasers with same power
- Wide operating voltage range
- Many options / customized solutions
- Focusable

### Options

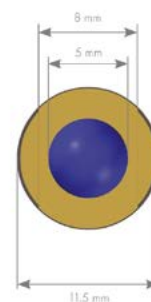
- Modulation
- Power adjustment via control wire or potentiometer
- Laser head and electronics in separate housings for limited space



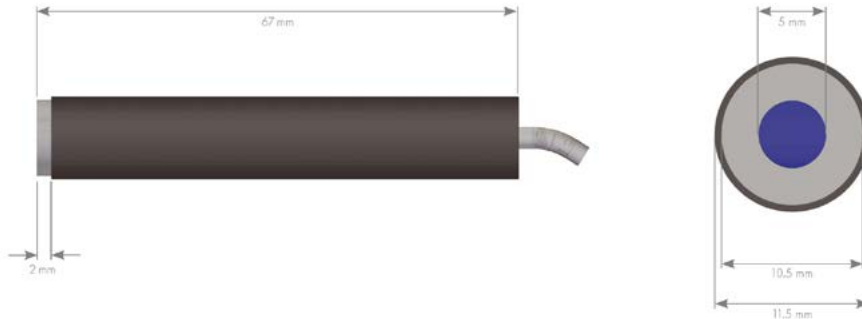
### Beam Profile

- Circular
- Line
- Cross hair

### Green Dot Laser



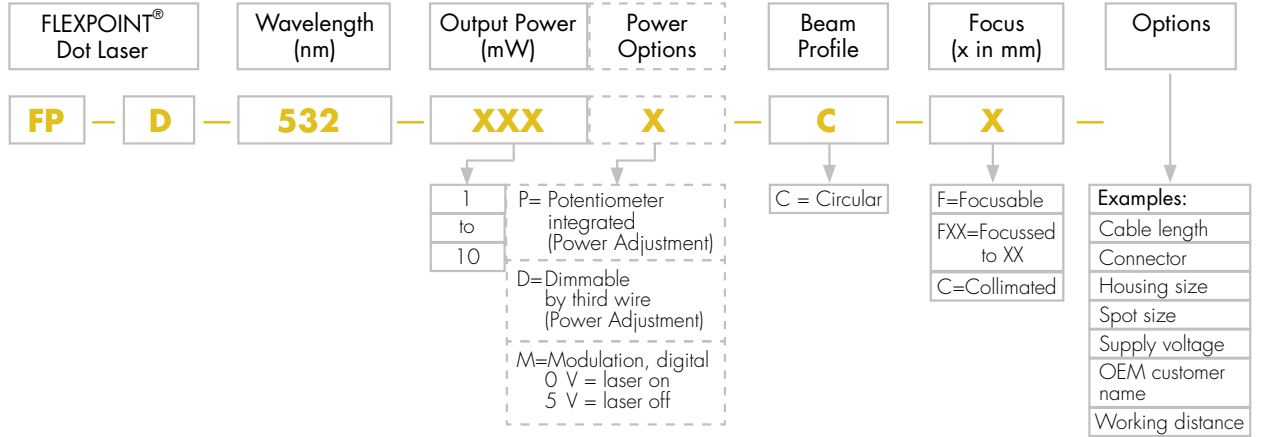
## Green Line Laser



## Specifications

|                                  |  |
|----------------------------------|--|
| Wavelength                       | 532 nm   |
| Output power, max.               | 1 mW / 4 mW / 10 mW  |
| Output power stability           | < 5 % after warm-up at 25 °C   |
| Beam divergence                  | < = 1 mrad (0.5 mrad as option)  |
| Output beam diameter             | < = 1.5 mm   |
| Fan angle (for line lasers)      | 10 – 100° (factory set)  |
| Beam angle error                 | ≤ 1°   |
| Operating mode                   | cw   |
| Mode                             | TEM <sub>00</sub>  |
| Life time typ.                   | 5000 hrs (at ≤ 4 mW)   |
| Input voltage                    | 5 – 30 VDC<br>reverse voltage protection                                     |
| Operating current                | < 300 mA   |
| Modulation frequency (as option) | Max. 3 kHz   |
| Operating temperature            | 15 – 35 °C   |
| Storage temperature              | -10 to +60 °C  |
| Mechanical                       | length = 57 mm, Ø 11.5 mm<br>(l ≥ 67 mm for line lasers and 0.5 mrad option) |
| Housing material                 | anodised aluminium, supply voltage not connected to housing                  |

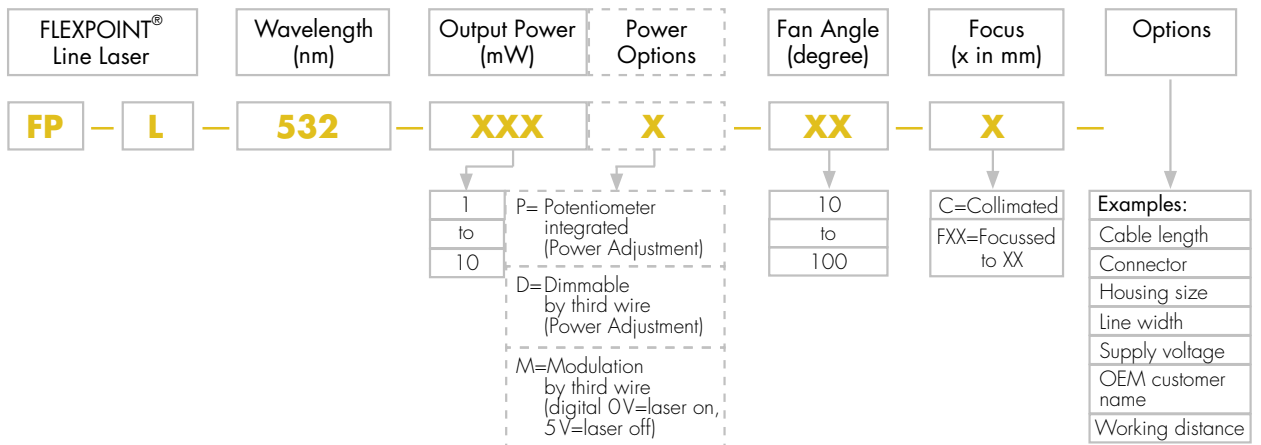
Ordering Code FLEXPOINT® 532 nm Dot Lasers



Standard Modules (Selection)

|                 |   |
|-----------------|---|
| FP-D-532-1-C-F  | (532 nm, 1 mW, circular beam, focusable)  |
| FP-D-532-4-C-F  | (532 nm, 4 mW, circular beam, focusable)  |
| FP-D-532-10-C-F | (532 nm, 10 mW, circular beam, focusable) |

Ordering Code FLEXPOINT® 532 nm Line Lasers



### Standard Modules (Selection)

|                 |   |
|-----------------|---|
| FP-L-532-1-50-C | (532 nm, 1 mW, 50° fan angle, collimated) |
| FP-L-532-4-50-C | (532 nm, 4 mW, 50° fan angle, collimated) |

Improved safety through control loop for laser class 2 and 3R.

To ensure the maximum lifetime of the laser module, please use a heat sink, which is available as option (housing temperature  $\leq 35$  °C).

The laser modules are equipped with a temperature dependent shut down which protects the laser from overheating. After cooling down and switching on the power supply again the laser will work again.

FLEXPOINT® laser diode modules are designed for use in OEM products. Depending on their usage their original classification may be altered (labels are attached). It is the responsibility of the OEM to ensure compliance with relevant safety standards and proper labelling.

All specifications subject to change without notice.